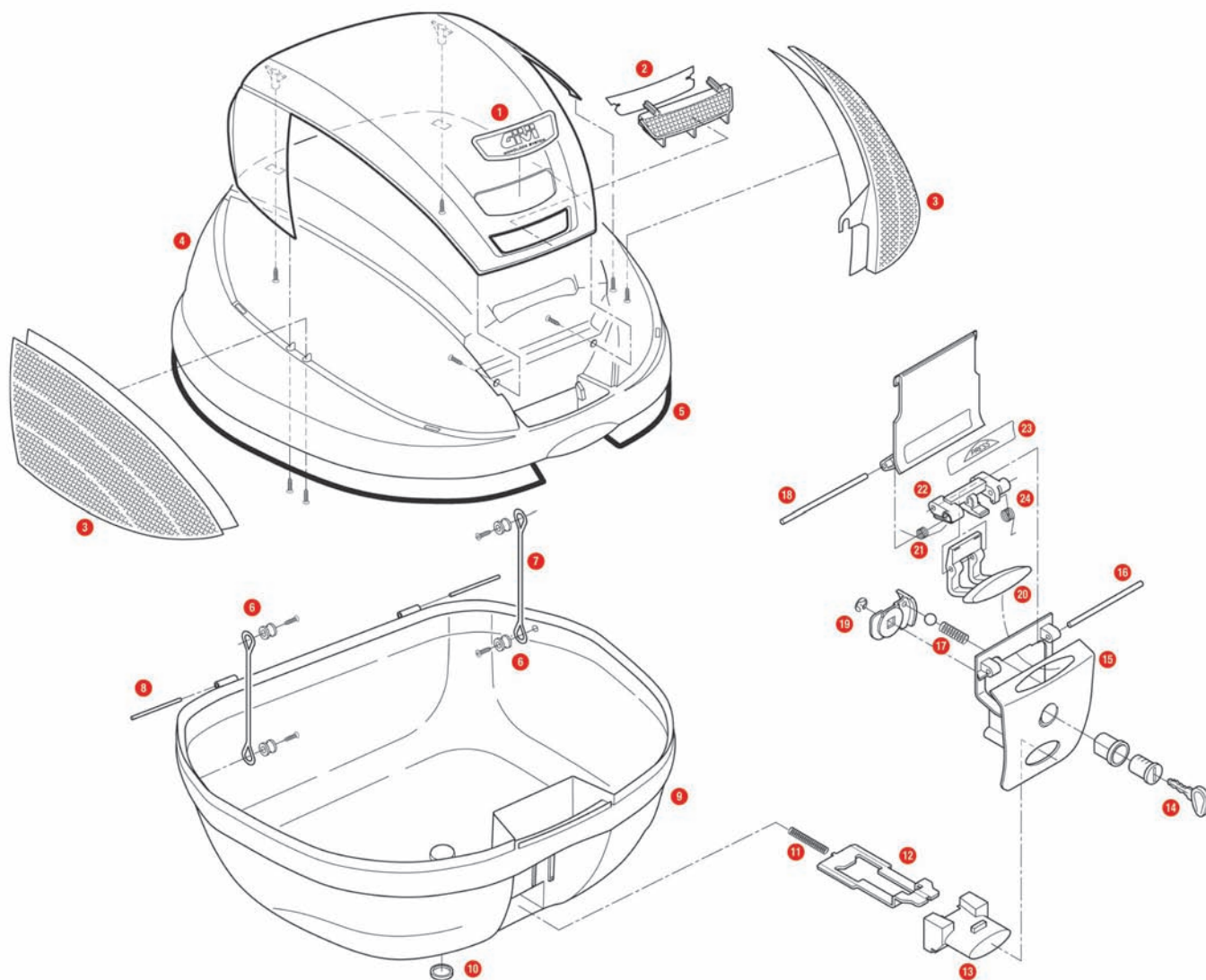


E370 / E370 TECH



| | | | | |
|----|---------|---|--|--|
| 1 | Z1294R | E470 GIVI logo, 1 pcs | | |
| 2 | Z750R | Top case reflector, 1 kit | | |
| 3 | Z1383R | Top case reflectors (right and left), 1 kit | | |
| | Z1383TR | Top case reflector (right and left) with silver shell (for E370 TECH) | | |
| 4 | Z370CNR | E370 top-shell black, 1 pcs. | | |
| 5 | Z159R | Bag lock lining, 1 pcs. | | |
| 6 | Z112R | Red pulley, 4 pcs. | | |
| 7 | Z115R | Stop bag opening yarn, 2 pcs. | | |
| 8 | Z635R | Pin. D. 04x48 mm, 2 pcs. | | |
| 10 | Z1235 | Injection covering cap | | |
| 11 | Z191R | Push button spring, 1 pcs. | | |
| 12 | Z761NR | 12 Z761NR Bolt, 1 pcs. | | |
| 13 | Z645R | Push button red, 1 pcs. | | |
| 14 | Z140R | Lock key, 1 pcs. | | |

| | | | | |
|----|----------|--|--|--|
| 15 | Z641NR | Hinge black | | |
| 16 | Z637R | Pin. D. 04x75 mm, (1 piece) | | |
| 17 | Z1384R | Cylinder spring and steel spheres, 1 kit | | |
| 18 | Z721R | Pin. D. 04x85 mm | | |
| 19 | Z640R | Plate below lock, 1 pcs. | | |
| 20 | Z644R | Opening push button, 1 pcs. (for top case V46) | | |
| 21 | Z632R | Steel torsion spring | | |
| 22 | Z643R | Lock set element red, 1 pcs. | | |
| 23 | Z409R | Name holder, 1 pcs. | | |
| 24 | Z647R | Torsion spring, 1 pcs. | | |
| | Z846R | Circuit covering cap, 1 pcs. | | |
| | Z350FNM | E350 - E340 - E370 bottom-shell black | | |
| | Z370CNMR | E370 assembled top-shell black | | |
| | Z641NM | Lock set | | |

Vyberte požadovaný náhradní díl, cenu a dostupnost vám potvrdíme na info@motosp.cz.